

THE TECHNILIGHT
TLC-9 FLUORESCENT
RING ILLUMINATOR
PROVIDES DIFFUSE
COOL LIGHT
FROM A WIDE
RANGE OF ANGLES.
PERFECTLY SUITED
FOR PC BOARD
INSPECTION AND
QUALITY CONTROL
APPLICATIONS



TLC-9 FLUORESCENT RING ILLUMINATOR

The TechniLight TLC-9 is TechniQuip's latest generation of fluorescent ring illuminators. The TLC-9 construction begins with a rugged powder coated aluminium alloy housing and a premium, triphosphor fluorescent lamp. The 5600 K Color Temperature (CCT) lamp provides exceptional, bright cool white light. TechniLights TLC-9 also incorporates a high frequency electronic ballast which increases energy efficiency and average lumen output. The solid state ballast includes environmentally friendly rapid start technology which eliminates flicker, runs cooler and is lighter in weight. The power cord has improved EMC shielding and a new three prong plug with dual fused IEC inputs. The TechniLight TLC-9 is available with a choice of Daylight (Standard) or UV/non-visible lamps, 110VAC (Standard) or 120-277VAC 50/60Hz input power. ESD compliant models with professional grounding cords are also available.

Designed and manufactured in the USA to the exacting standards that have made TechniQuip an industry leader in microscopy illumination products for the past 45 years.



TECHNILIGHT TLC-9 PRODUCT FEATURES

| TLC-9 | TLC-9 PRODUCT FEATURES |
|----------------------------|---|
| Exterior Housing: | Rugged powder coated high strength aluminum alloy housing |
| Standard Model: | Daylight (Standard Model) 5600K (CCT) Average bulb life 7,000 hours |
| UV Model: | Ultraviolet (UV Models) 365nm UV |
| ESD Model: | Supplied with ESD finish and grounding strap |
| Electronic Ballast: | Equipped with high frequency electronic ballast for increased energy efficiency. Rapid Start - Instant on performance |
| Shielding: | Supplied with 3 prong shielded power cable to mitigate EMC |
| Power Input: | Available in 110VAC and 220 VAC versions. 6' power cord |
| Mounting: | Supplied with 3 soft tip mounting screws. Fits 66mm optics. |
| Illumination: | Provides 360 degree shadow-free illumination |
| Noise: | Silent vibration free operation. Sound rating A |



TLC-9 with International Table Top Power Supply



TLC-9 with ESD



TECHNILIGHT TLC-9 FL RING MODELS

| COMMON | MODELS |
|--------------|---|
| TLC9-DPDX-MK | TechniLight, Daylight, Putty, 110 VAC, 66mm I.D., No ESD, Standard Mounting Screws, USA Cord Set |
| TLC9-DPDX-SK | TechniLight, Daylight, Putty, 110 VAC, 66mm I.D., No ESD, Short Mounting Screws, USA Cord Set |
| ESD | MODELS |
| TLC9-DBDE-MK | TechniLight, Daylight, Black, 110 VAC, 66mm I.D., ESD, Standard Mounting Screws, USA Cord Set |
| TLC9-DBDE-SK | TechniLight, Daylight, Black, 110 VAC, 66mm I.D., ESD, Short Mounting Screws, USA Cord Set |
| ULTRAVIOLET | MODELS |
| TLC9-DPDX-MK | TechniLight, Ultraviolet, Putty, 110 VAC, 66mm I.D., No ESD, Standard Mounting Screws, USA Cord Set |
| TLC9-DPDX-SK | TechniLight, Ultraviolet, Putty, 110 VAC, 66mm I.D., No ESD, Short Mounting Screws, USA Cord Set |
| TLC9-UPUX-MA | TechniLight, Ultraviolet, Putty, International Power Supply, 110-240 VAC, 66mm I.D., No ESD, Standard Mounting Screws, Euro Cord Set (See selection guide for power cord choices) |

ADAPTERS TO MOUNT TLC-9 TO MICROSCOPES & OPTICAL SYSTEMS

| ADAPTER | TYPE | ATTACHMENT | OUTSIDE DIAMETER | LEICA (B&L) | NIKON | OLYMPUS | MEIJI |
|---------|--------------|--------------------|------------------|-------------|------------------|--------------------------|----------|
| TL-5 | Male Threads | 1.500" (38.1mm) | 2.28" (58mm) | SZ 1-5 | | | |
| TL-10 | Male Threads | 1.890" (48mm) | 2.28" (58mm) | | SMZ-1 SMZ-1B | SZ11, SZ30 SZ40, SZ60 | |
| TL-EMZ | Male Threads | 1.970" (50mm) | 2.28" (58mm) | | | | EMZ-1-10 |
| TL-645 | Set Screws | Set Screws | 2.28" (58mm) | | SMZ645 SMZ745 | | |
| TLS4S6 | Male Threads | | 2.28" (58mm) | S4 S6 | | | |



TECHNILIGHT TLC-9 SELECTION GUIDE

T
L
C
9

Model
TechniLight Series 9

D

Color Temperature
D = Daylight (Standard 5000-5500K)
U = UV / Non-Visible

P

Finish
P = Putty (Standard)
B = Black (ESD Units Only)

D

Input Power
D = 110VAC 60Hz (Standard)
U = 120-277VAC 50/60Hz

X

ESD Compliant
X = No ESD (Standard)
E = ESD (Black Only)

M

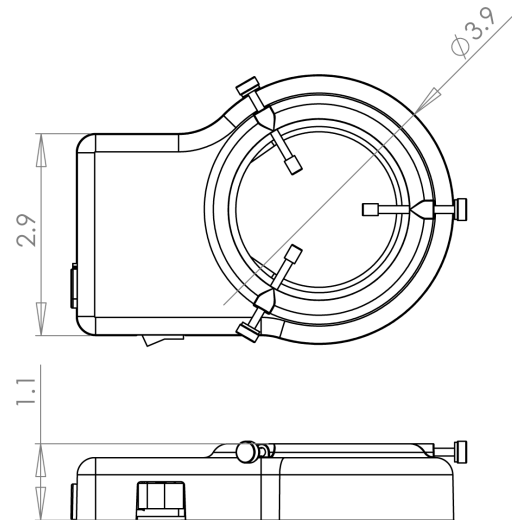
Mounting Screws
M = Mounting Screw (Long-Standard)
S = Mounting Screw (Short-Allen Cup point Screw)

K

Power Cord
K = USA (Standard)
A = Euro
C = Australia
D = United Kingdom
H = Israel
L = Switzerland

Replacement Lamps

| Series | Item | Description |
|-------------|------|-------------|
| TechniLight | WTL | Daylight |
| TechniLight | BTL | Ultraviolet |



TECHNIQUIP 